

FAG

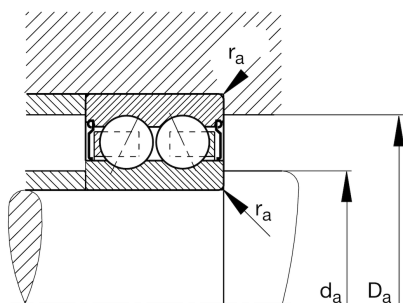
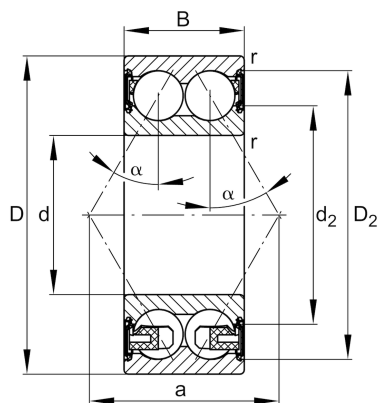
3205-BD-XL-2HRS

Angular contact ball bearing

Schaeffler ID:
0822712590000Angular contact ball bearing 32..-BD-
XL-2HRS, double row, X-life, seals, steel
sheet metal cage

X-life

Technical information

**Main Dimensions & Performance Data**

d	25 mm	Bore diameter
D	52 mm	Outside diameter
B	20,6 mm	Width
C_r	22.000 N	Basic dynamic load rating, radial
C_{0r}	15.200 N	Basic static load rating, radial
C_{ur}	1.050 N	Fatigue load limit, radial
n_G	10.700 1/min	Limiting speed
	0,178 kg	Weight

Dimensions

r_{min}	1 mm	Minimum chamfer dimension
D_2	47,6 mm	Caliber diameter outer ring
d_2	34,2 mm	Caliber diameter inner ring
a	30,8 mm	Distance between the apexes of the pressure cones
α	30 °	Contact angle

Mounting dimensions

$d_{a min}$	30,6 mm	Minimum diameter shaft shoulder
$D_{a max}$	46,4 mm	Maximum diameter of housing shoulder
$r_{a max}$	1 mm	Maximum fillet radius

Temperature range

T_{min}	-20 °C	Operating temperature min.
T_{max}	100 °C	Operating temperature max.